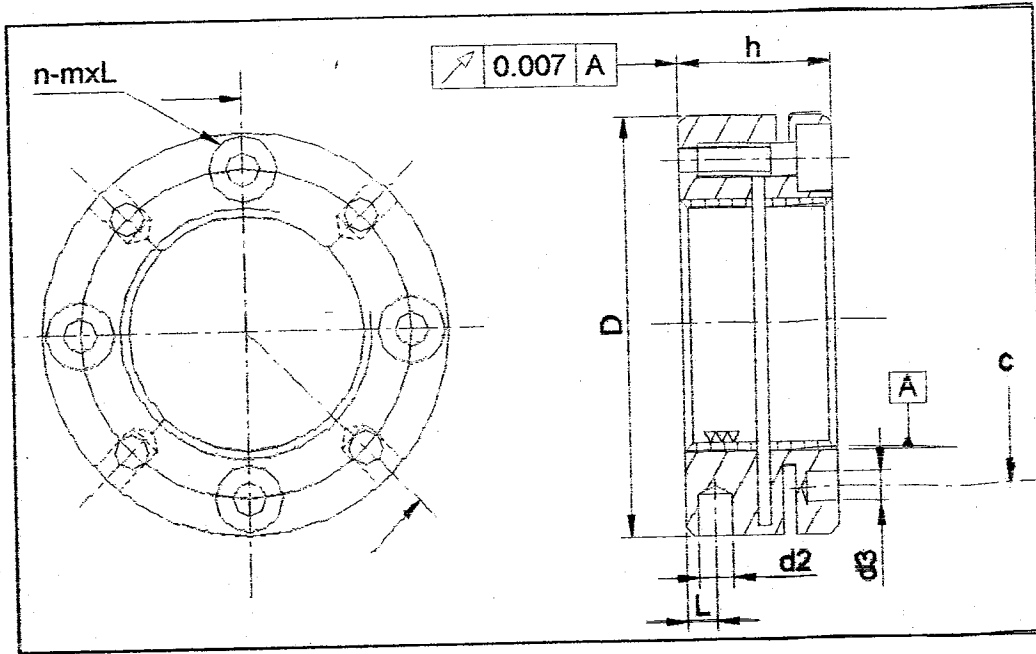


Axial Locking

BLN



Thread	D	h	L	n-mxL	d3	d2	MAX.Nm
M17x1	37	18	5	4-M4x12	4.3	4	3.5
M20X1	40						
M20X1.5	40						
M25X1.5	45	20	6.5	4-M4x14	4.3	5	3.5
M30X1.5	48		6.5				
M35X1.5	53	22	7	4-M4x16	4.3	5	3.5
M40X1.5	58		7				
M45X1.5	68		6.5				
M50X1.5	70	25	9	6-M4x18	6.4	6	4.5
M55X2	75						
M60X2	84	28	10.5	6-M5x20	6.4	6	4.5
M65X2	88		9.5				
M70X2	95		8.5				
M75X2	100	32	11	6-M6x22	6.4	8	8
M80X2	110						
M85X2	115						
M90X2	120						
M95X2	125						
M100X2	130						
M105X2	135						
M110X2	140	34	13	6-M6x25	6.4	8	8
M115X2	145						
M120X2	155	36	13	6-M6x25	6.4	8	8
M125X2	160						
M130X2	165						
M140X2	180	38	12	8-M6x25	6.4	8	8
M150X2	190						
M160X3	205	40	14	8-M8x30	8.4	10	18
M170X3	215						
M180X3	230						
M190X3	240						
M200X3	245						